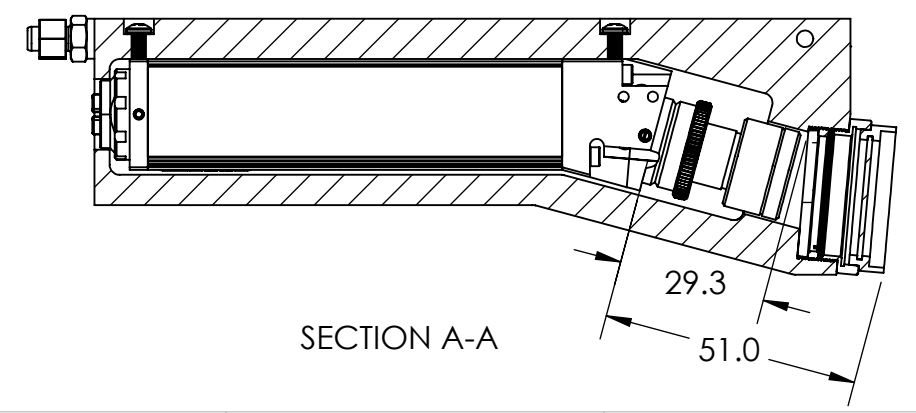
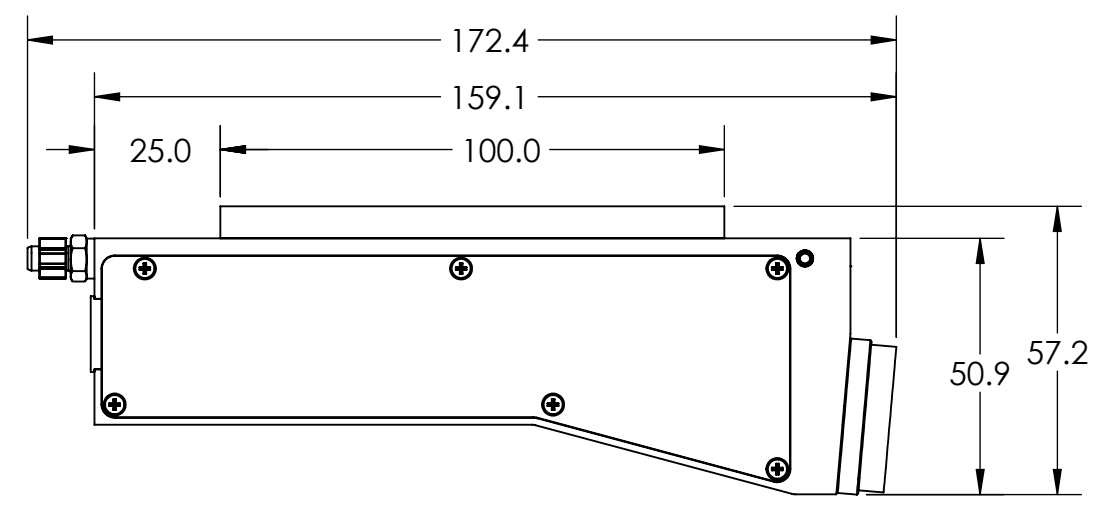
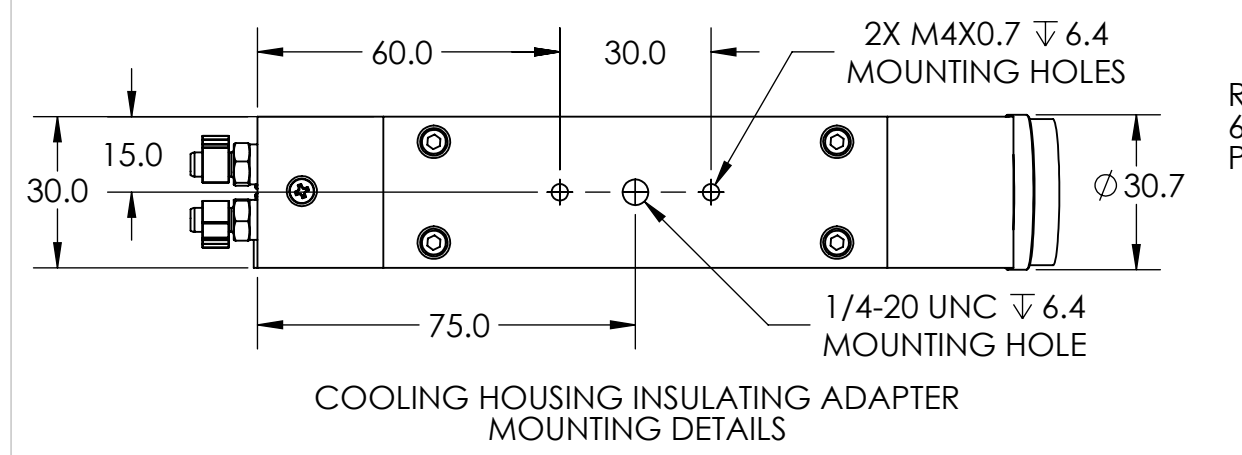
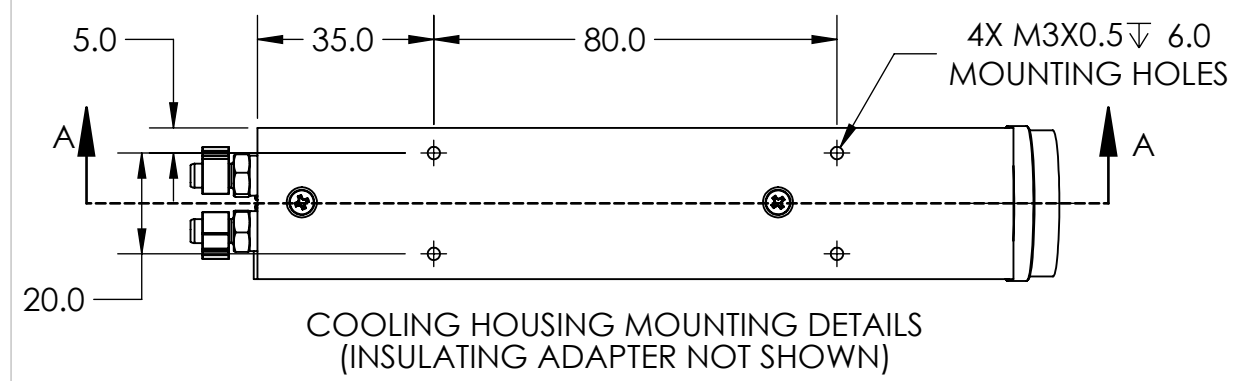
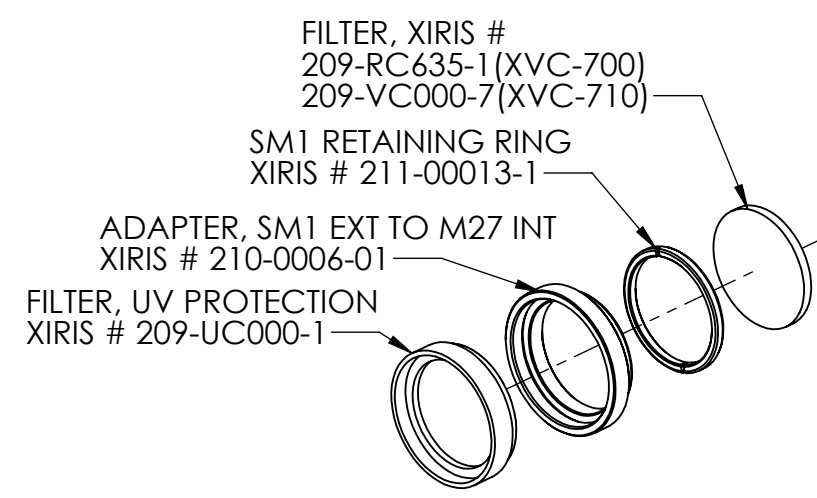
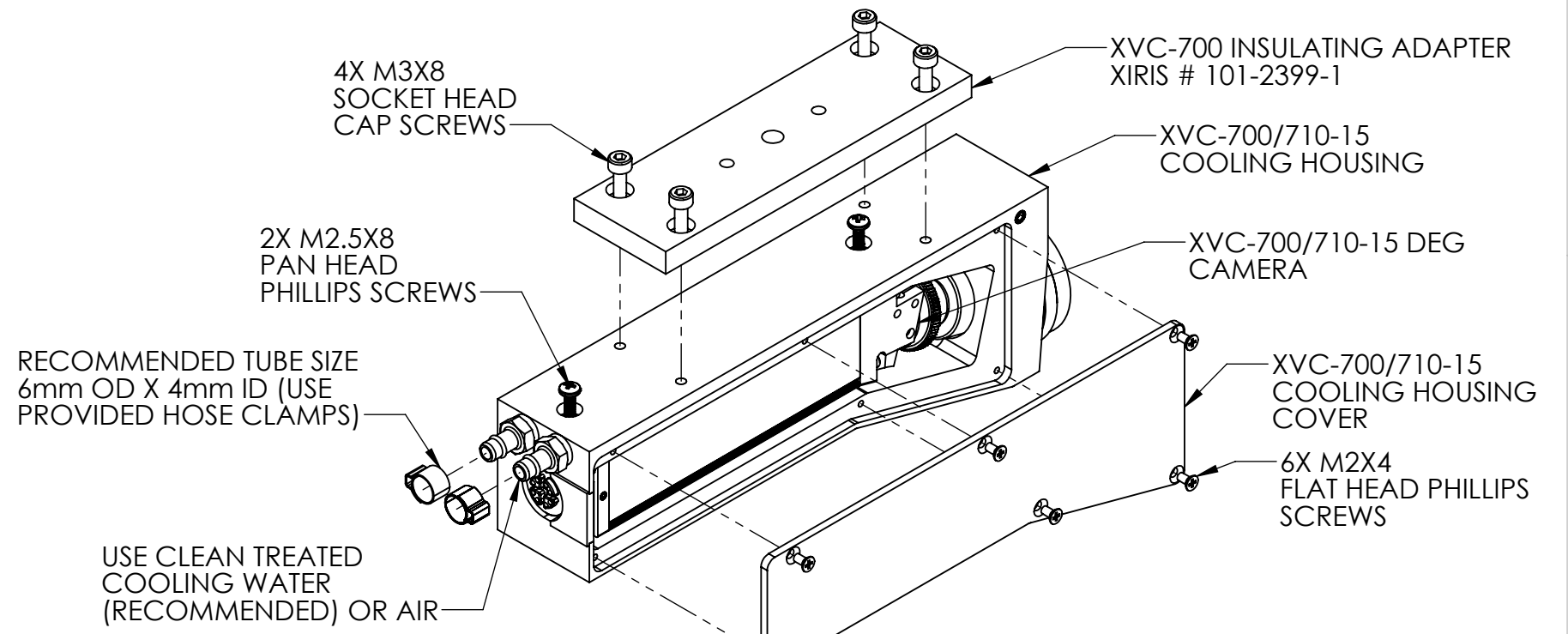


REVISIONS				
ZONE	REV.	DESCRIPTION	DATE	DRAWN BY
	1	PRODUCTION PROTOTYPE	2021-08-12	PB



- NOTES:
- HOUSING SHOULD BE ELECTRICALLY INSULATED FROM WELDING SYSTEM VIA MOUNTING.
 - USE F=25 (XIRIS # 203-F25S-03) OR F=17 (XIRIS # 203-F17S-01) COMPACT LENSES ONLY.



APPROVED THIS NOTE IS VISIBLE. DRAWING HAS NOT BEEN APPROVED FOR MANUFACTURING. USE FOR REFERENCE ONLY.
By psliggs at 1:40 pm, Aug 12, 2021

XIRIS
Inspection Solutions with Vision
PROPRIETARY AND CONFIDENTIAL

UNLESS OTHERWISE SPECIFIED:
DIMENSIONS ARE IN MM
STANDARD TOLERANCES:
TWO PLACES DECIMAL ±0.1
ONE PLACE DECIMAL ±0.2
ANGULAR: ±0.5

SURFACE TEXTURE: 1.6
INTERPRET GEOMETRIC TOLERANCES PER: ANSI 14-Y5

UNLESS OTHERWISE SPECIFIED IN SEPARATE TABLE, MFG PART NUMBER IS DEFINED AS DRAWING NUMBER

CAD GENERATED DRAWING FROM SOLIDWORKS MODEL FILE: 812-991-03

5046 MAINWAY, UNIT 2 BURLINGTON, ONTARIO, L7L 5Z1 CANADA Tel: + 1-905-331-6660	
DESIGNED: Bschneider	DATE: 2021-03-22
DRAWN: pbarbu	DATE: 2021-08-11
ENG. APPR.: X	Y
MATERIAL: SEE BOM	
FINISH: N/A	

Xiris Automation Inc.

TITLE: **XVC-700/710-15 HIGH TEMPERATURE COOLING HOUSING OUTLINE**

DRAWING #: **812-991-03** REV: **1**

SCALE: 2:3 WEIGHT: SHEET 1 OF 1